

---

## MEIJI SMOKE DETECTOR MSD-02

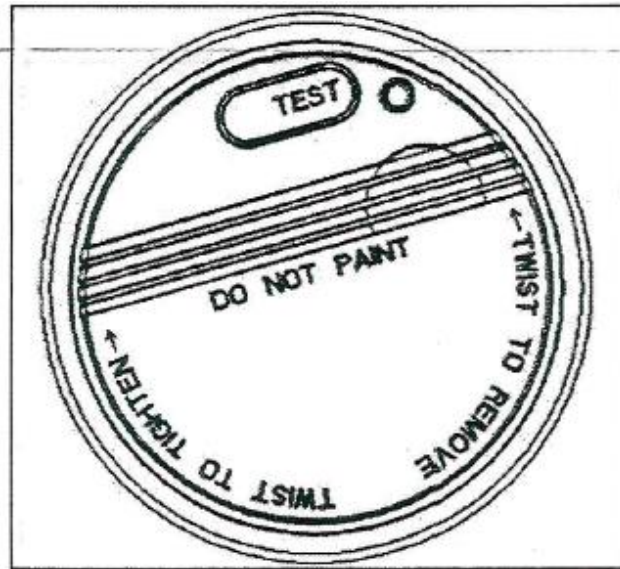


1134-CPR-101

**EN 14604**

**Introduction**

**Design**



### **I. Technical Parameters**

Working Voltage: DC 9V

Quiescent Current:  $\leq 10\mu\text{A}$

Alarming Current:  $\leq 20\text{mA}$

Alarming Decibel:  $\geq 85\text{dB}/3\text{m}$

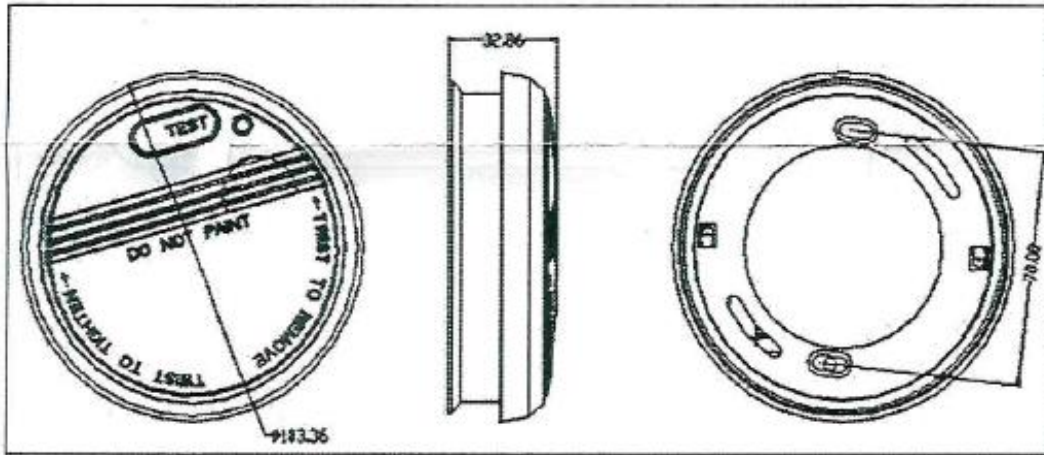
LED Indicator: LED (Red)

Low Voltage Alarming :  $\leq 7.3\text{V}$

Working Temperature:  $-10^{\circ}\text{C}\sim+40^{\circ}\text{C}$

Working Humidity:  $\leq 95\%\text{RH}$

## II. Dimension (mm)

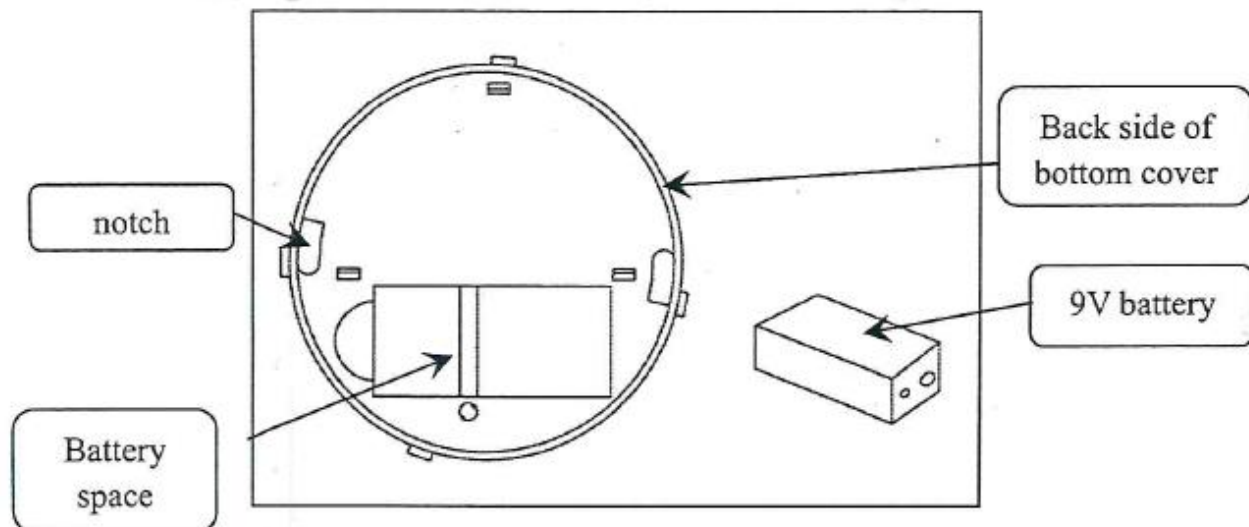


### TO TEST:



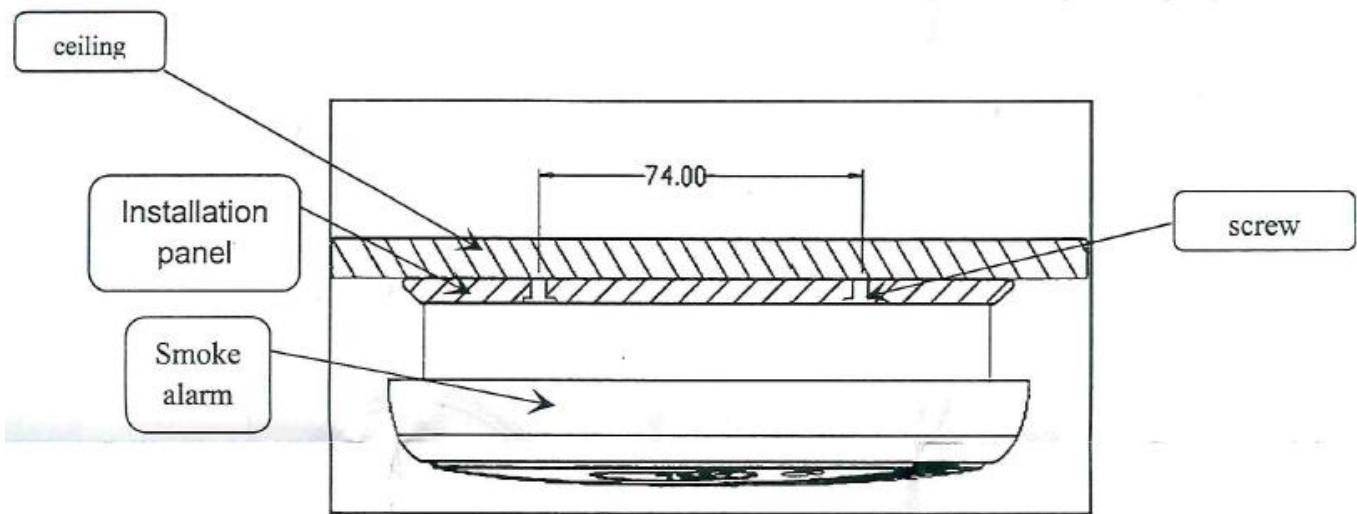
- Note: if battery is installed in the wrong way, the detector will not work and can damage the item.
- If the detector operates smoothly, the Red LED will flash once in about 43S

1. Rotate the installation panel counter-clockwise to remove it.
2. Remove the insulated material to make sure the battery is installed correctly.
3. Adjust the clips of the installation panel to the notches of the detector and turn the smoke detector clockwise to lock it.
4. Press the test button and wait until the RED LED flashes. If installed correctly, the smoke detector sounds. You may start using your smoke alarm.



## TO INSTALL:

1. Choose a good position to install the smoke alarm on your ceiling.
2. Use the screw to fix the installation panel on the ceiling.
3. Turn the smoke detector clockwise in order to lock it to the installation panel tightly.



Do not place this product in a humid, dusty and/or smoking environment

## V. Low Voltage Alarm

When the battery is low, the smoke detector will alarm to signal the battery must be replaced.